

**Crypto
Peerless**

POTATO PEELERS | **CC7, CC14,
C28 & C56**

RUGGED CONSTRUCTION...HIGH PERFORMANCE



CC7/CC14/C28/C56

POTATO PEELERS

A range of peelers built stronger to last longer and to take the real day to day punishment of commercial use in their stride.

Efficient Peeling Action

Most potato peelers use a coarse grit on the plate and in the drum. It certainly removes the peel – and a good part of the potato as well. That's why Crypto Peerless select a close mesh, fine grade abrasive. It's multitude of fine cutting edges gives a gentle 'skin-deep' peeling action that is thorough but economical.

Sea-Wave Peeling Plate

The 'Sea-Wave' shaped plate imparts a twin movement – tumbling the potatoes around the chamber so that everyone reaches the abrasive. The result is perfect peeling with the minimum of waste and absence of flats.

Rugged Construction

All four models feature a cast metal peeling plate and drum – your assurance of long life. To further reduce wear both the plate and drum are coated with abrasive bedded in epoxy resin – and both can be exchanged for genuine Crypto Peerless replacements, as fitted to the original machine, when the abrasive starts to wear away.

High Performance

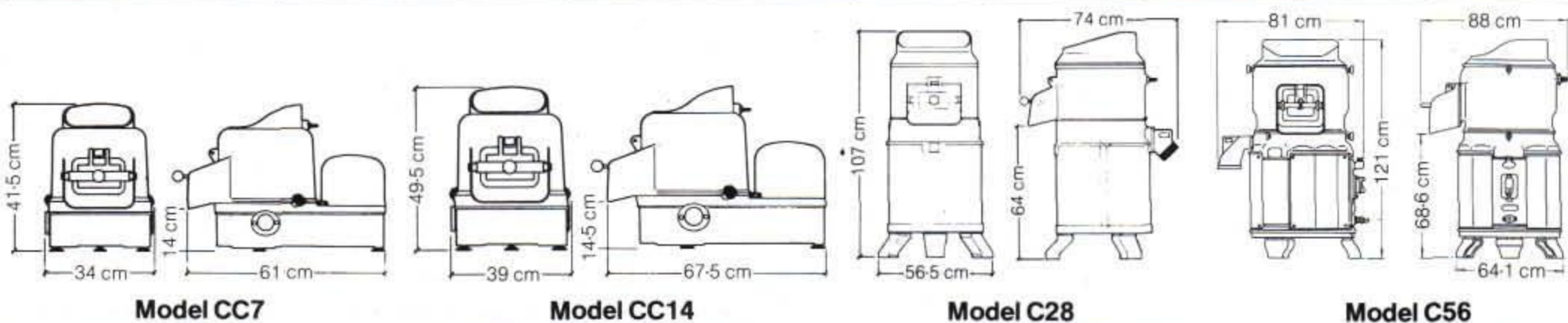
Peel a full load of 7, 14, 28 or 56 lbs in around 3 minutes.

Convenience of Siting

The peeling chamber and hopper can both be rotated to bring the discharge chute into the most convenient position relative to the waste pipe. With the smaller CC7 and CC14 Models the waste can discharge to either side of the machine.

SPECIFICATIONS

Model	CC7	CC14	C28	C56
Capacity – per load – per hour	up to 7 lbs (3.15 kg) up to 170 lbs (77 kg)	up to 14 lbs (6.3 kg) up to 330 lbs (150 kg)	up to 28 lbs (12.7 kg) up to 660 lbs (300 kg)	up to 56 lbs (25 kg) up to 1320 lbs (600 kg)
Motor	1/3 hp	1/3 hp	1/2 hp	1 hp
Electrics	240V, 50HZ, 1ph, 2.3A f/c	240V, 50HZ, 1ph, 3.2A f/c	240V, 50Hz, 1ph, 3.8A f/c 415V, 50Hz, 3ph, 1.2A f/c	240V, 50Hz, 1ph, 5A f/c 415V, 50Hz, 3ph, 2.3A f/c
Other Supplies on Request. All single phase machines can be connected to a 13A socket				
Water Connection	1/2" hose connector	1/2" hose connector	1/2" hose connector	1/2" hose connector
Water Consumption				
– with Peel Interceptor	1 litre/min approximately	1.3 litres/min approximately	1.5 litres/min approximately	6 litres/min approximately
– with Waste Dilution Unit	3 litres/min approximately	4 litres/min approximately	5 litres/min approximately	10 litres/min approximately
Drain Connection	2" BSP	2" BSP	75 mm (3") Diameter	120 mm (4 3/4") Diameter
Dimensions (h x w x d)	41.5 x 34 x 61 cm (16 1/4" x 13 1/2" x 24")	49.5 x 39 x 67.5 cm (19 1/2" x 15 1/4" x 26 1/2")	107 x 56.5 x 74 cm (42" x 22 1/4" x 29")	121 x 81 x 88 cm (47 1/2" x 32" x 34 1/2")
Weight	30 kg (65 lbs)	37 kg (80 lbs)	111 kg (224 lbs)	266 kg (587 lbs)
Standard Equipment	Supplied with one close mesh abrasive plate and water inlet/waste outlet connections.	Supplied with one close mesh abrasive plate and water inlet/waste outlet connections.	Supplied with one close mesh abrasive plate with lifting hooks and water inlet/waste outlet connections.	Supplied with one close mesh abrasive plate with lifting hooks and water inlet/waste outlet connections.
Optional Equipment	Stands to give discharge heights of 62, 87 or 94 cm (24 1/2", 34 1/2", or 37"). Waste Dilution Unit. Waste Pipe (for discharging waste to a sink). Adaptor Nipple (for direct hose connection to drain). Outlet Hose and Clips. Peel Sieve (fits into a sink). Air Break Unit. Timer.	Stands to give discharge heights of 63, 88 or 95 cm (24 3/4", 34 3/4", or 37 1/2"). Waste Dilution Unit. Waste Pipe (for discharging waste to a sink). Adaptor Nipple (for direct hose connection to drain). Outlet Hose and Clips. Peel Sieve (fits into a sink). Air Break Unit. Timer.	Tall Legs to give discharge height of 94 cm (37"). Waste Dilution Unit. Outlet Hose and Clips. Peel Interceptor. Air Break Unit.	Waste Dilution Unit. Outlet Hose and Clips. Air Break Unit. Peel Interceptor.



Distributor